

Product family datasheet

Technical data

Electrical data

Product description	Nominal input voltage	Mains frequency	Input voltage AC	Total harmonic distortion	Power factor λ	ECG efficiency
OTe 10/220...240/700 PC	220...240 V	50...60 Hz	198...264 V ¹⁾	< 20 %	0.95/0.90 ²⁾	79 % ³⁾
OTe 13/220...240/350 PC	220...240 V	50...60 Hz	198...264 V ¹⁾	< 20 %	0.95/0.90 ²⁾	84 % ³⁾
OTe 18/220...240/500 PC	220...240 V	50...60 Hz	198...264 V ¹⁾	15 %	0.95/0.90 ²⁾	86 % ³⁾
OTe 18/220...240/350 PC	220...240 V	50...60 Hz	198...264 V ¹⁾	15 %	0.95/0.90 ²⁾	86 % ³⁾
OTe 25/220...240/700 PC	220...240 V	50...60 Hz	198...264 V ¹⁾	15 %	0.95/0.90 ²⁾	86 % ³⁾
OTe 35/220...240/700 PC	220...240 V	50...60 Hz	195...264 V ¹⁾		0.95/0.90 ²⁾	87 % ³⁾

Product description	Device power loss	Inrush current	Max. ECG no. on circuit breaker 10 A (B)	Max. ECG no. on circuit breaker 16 A (B)	Max. ECG no. on circuit breaker 25 A (B)
OTe 10/220...240/700 PC	2.8 W ⁴⁾	5 A ⁵⁾	101	160	-
OTe 13/220...240/350 PC	2.6 W ⁴⁾	5 A ⁵⁾	82	130	-
OTe 18/220...240/500 PC	3.0 W ⁴⁾	5 A ⁵⁾	53	84	-
OTe 18/220...240/350 PC	3.0 W ⁴⁾	5 A ⁵⁾	53	84	-
OTe 25/220...240/700 PC	3,9 W ⁴⁾	7 A ⁵⁾	41	65	-
OTe 35/220...240/700 PC	5.25 W ⁴⁾	< 10 A ¹⁵⁾	32	50	-

Product description	Surge capability (L/N-Ground)	Surge capability (L-N)	Nominal output voltage	U-OUT (working voltage)	Nominal output current
OTe 10/220...240/700 PC	1 kV	1 kV	7...14 V	25 V	700 mA ⁶⁾
OTe 13/220...240/350 PC	1 kV	1 kV	18...38 V ⁸⁾	50 V	350 mA ⁶⁾
OTe 18/220...240/500 PC	1 kV	1 kV	18...36 V ⁸⁾	60 V	500 mA ⁶⁾
OTe 18/220...240/350 PC	1 kV	1 kV	27...54 V ¹¹⁾	50 V	350 mA ⁶⁾
OTe 25/220...240/700 PC	2 kV	1 kV	18...36 V ⁸⁾	50 V	700 mA ⁶⁾
OTe 35/220...240/700 PC	2 kV	1 kV	27...50 V ¹⁶⁾	58 V	700 mA ¹⁷⁾

Product description	Output current tolerance	Output ripple current (100 Hz)	Nominal output power	Galvanic isolation	Power loss in stand-by mode
OTe 10/220...240/700 PC	±10 %	35 %	10 W ⁷⁾	SELV	
OTe 13/220...240/350 PC	±10 %	25 %	13 W ⁹⁾	SELV	
OTe 18/220...240/500 PC	±10 %	< 35 %	18 W ¹⁰⁾	SELV	
OTe 18/220...240/350 PC	±10 %	< 35 %	19 W ¹²⁾	SELV	
OTe 25/220...240/700 PC	±10 %	< 35 %	25 W ¹³⁾	SELV	
OTe 35/220...240/700 PC	±5 %	< 35 %	35 W ¹⁸⁾	SELV	<1 W ¹⁴⁾

¹⁾ Permitted voltage range

²⁾ Full load at 230 V/Minimum load at 230 V

³⁾ At full load and 230 V

⁴⁾ Maximum

Product family datasheet

5) $t_{width} = 100 \mu s$ (measured at 50 % I_{peak})

6) $\pm 10\%$

7) Partial load 5...10 W

8) Maximum <48 V

9) Partial load 6.5...13.5 W

10) Partial load 9...18 W

11) Maximum 60 V

12) Partial load 9.5...19 W

13) Partial load 12.5...25 W

14) No load condition

15) $t_{width} = 250 \mu s$ (measured at 50 % I_{peak})

16) Maximum <58 V

17) $\pm 5\%$

18) Partial load 19...35 W

Dimensions & weight

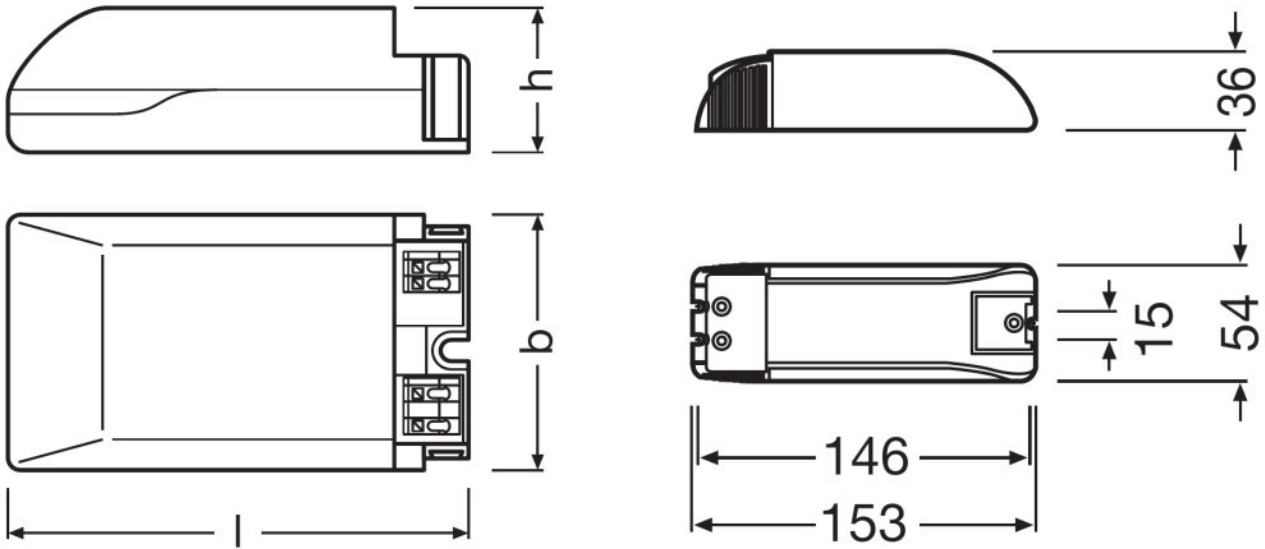
Product description	Mounting hole spacing, length	Mounting hole spacing, width	Product weight	Cable cross-section, input side	Cable cross-section, output side
OTe 10/220...240/700 PC	-	-	81.00 g	0.75...1.5 mm ² ¹⁾	0.5...1.5 mm ² ¹⁾
OTe 13/220...240/350 PC	-	-	81.00 g	0.75...1.5 mm ² ¹⁾	0.5...1.5 mm ² ¹⁾
OTe 18/220...240/500 PC	-	-	93.00 g	0.75...1.5 mm ² ¹⁾	0.5...1.5 mm ² ¹⁾
OTe 18/220...240/350 PC	-	-	93.00 g	0.75...1.5 mm ² ¹⁾	0.5...1.5 mm ² ¹⁾
OTe 25/220...240/700 PC	-	-	93.00 g	0.75...1.5 mm ² ¹⁾	0.5...1.5 mm ² ¹⁾
OTe 35/220...240/700 PC	146.0 mm	15.0 mm	165.00 g	0.75...2.5 mm ² ¹⁾	0.5...2.5 mm ² ¹⁾

Product description	Wire preparation length, input side	Wire preparation length, output side	Length	Width	Height
OTe 10/220...240/700 PC	8.0...9.0 mm	8.0...9.0 mm	95.0 mm	53.0 mm	25.0 mm
OTe 13/220...240/350 PC	8.0...9.0 mm	8.0...9.0 mm	95.0 mm	53.0 mm	25.0 mm
OTe 18/220...240/500 PC	8.0...9.0 mm	8.0...9.0 mm	95.0 mm	53.0 mm	30.0 mm
OTe 18/220...240/350 PC	8.0...9.0 mm	8.0...9.0 mm	95.0 mm	53.0 mm	30.0 mm
OTe 25/220...240/700 PC	8.0...9.0 mm	8.0...9.0 mm	95.0 mm	53.0 mm	30.0 mm
OTe 35/220...240/700 PC	5.0 mm	5.0 mm	153.0 mm	54.0 mm	36.0 mm

¹⁾ Flexible / Solid leads

Product family datasheet

Product line drawing



OTe 10/220...240/700 PC, OTe 13/220...240/350 PC, OTe 18/220...240/500 PC, OTe 18/220...240/350 PC, OTe 25/220...240/700 PC

OTe 35/220...240/700 PC

Colors & materials

Product description	Casing material
OTe 10/220...240/700 PC	Plastic
OTe 13/220...240/350 PC	Plastic
OTe 18/220...240/500 PC	Plastic
OTe 18/220...240/350 PC	Plastic
OTe 25/220...240/700 PC	Plastic
OTe 35/220...240/700 PC	Plastic

Product family datasheet

Temperatures & operating conditions

Product description	Ambient temperature range	Maximum temperature at tc test point	Max.housing temperature in case of fault	Permitted rel. humidity during operation
OTe 10/220...240/700 PC	-20...+55 °C	80 °C ¹⁾	110 °C	5...85 % ²⁾
OTe 13/220...240/350 PC	-20...+55 °C	85 °C ¹⁾	110 °C	5...85 % ²⁾
OTe 18/220...240/500 PC	-20...+55 °C	75 °C ¹⁾	110 °C	5...85 % ²⁾
OTe 18/220...240/350 PC	-20...+50 °C	75 °C ¹⁾	110 °C	5...85 % ²⁾
OTe 25/220...240/700 PC	-20...+50 °C	75 °C ¹⁾	110 °C	5...85 % ²⁾
OTe 35/220...240/700 PC	-20...+45 °C	75 °C ¹⁾	110 °C	5...85 % ²⁾

¹⁾ Maximum at the Tc-point

²⁾ Maximum 56 days/year at 85 %

Lifespan

Product description	ECG lifetime
OTe 10/220...240/700 PC	50000 h ¹⁾
OTe 13/220...240/350 PC	50000 h ²⁾
OTe 18/220...240/500 PC	50000 h ¹⁾
OTe 18/220...240/350 PC	50000 h ¹⁾
OTe 25/220...240/700 PC	50000 h ¹⁾
OTe 35/220...240/700 PC	50000 h ³⁾

¹⁾ At $T_{case} = 70^{\circ}\text{C}$ at T_c point / 10% failure rate

²⁾ At $T_{case} = 75^{\circ}\text{C}$ at T_c point / 10% failure rate

³⁾ At $T_{case} = 65^{\circ}\text{C}$ at T_c point / 10% failure rate

Additional product data

Product description	Encapsulated
OTe 10/220...240/700 PC	No
OTe 13/220...240/350 PC	No
OTe 18/220...240/500 PC	No
OTe 18/220...240/350 PC	No
OTe 25/220...240/700 PC	No
OTe 35/220...240/700 PC	No

Product family datasheet

Capabilities

Product description	Dimmable	Dimming interface	Dimming range	Dimming method
OTe 10/220...240/700 PC	Yes	Phase Cut ¹⁾	10...100 %	Amplitude Modulation / Pulse Width Modulation
OTe 13/220...240/350 PC	Yes	Phase Cut ²⁾	10...100 %	Amplitude Modulation / Pulse Width Modulation
OTe 18/220...240/500 PC	Yes	Phase Cut ²⁾	10...100 %	Amplitude Modulation / Pulse Width Modulation
OTe 18/220...240/350 PC	Yes	Phase Cut ²⁾	10...100 %	Amplitude Modulation / Pulse Width Modulation
OTe 25/220...240/700 PC	Yes	Phase Cut ²⁾	10...100 %	Amplitude Modulation / Pulse Width Modulation
OTe 35/220...240/700 PC	Yes	Phase Cut ³⁾	10...100 %	Amplitude Modulation / Pulse Width Modulation

Product description	Overheating protection	Overload protection	Short-circuit protection	No-load proof
OTe 10/220...240/700 PC	Automatic reversible	Automatic reversible	Automatic reversible	Yes
OTe 13/220...240/350 PC	Automatic reversible	Automatic reversible	Automatic reversible	Yes
OTe 18/220...240/500 PC	Automatic reversible	Automatic reversible	Automatic reversible	Yes
OTe 18/220...240/350 PC	Automatic reversible	Automatic reversible	Automatic reversible	Yes
OTe 25/220...240/700 PC	Automatic reversible	Automatic reversible	Automatic reversible	Yes
OTe 35/220...240/700 PC	Automatic reversible	Automatic reversible	Automatic reversible	Yes

Product description	Max. cable length to lamp/LED module	Suitable for fixtures with prot. class	Type of connection, output side
OTe 10/220...240/700 PC	2.0 m	I / II	Push terminal
OTe 13/220...240/350 PC	2.0 m	I / II	Push terminal
OTe 18/220...240/500 PC	2.0 m	I / II	Push terminal
OTe 18/220...240/350 PC	2.0 m	I / II	Push terminal
OTe 25/220...240/700 PC	2.0 m	I / II	Push terminal
OTe 35/220...240/700 PC	2.0 m	I / II	Push terminal

¹⁾ Trailing edge / Leading edge

²⁾ Leading edge / Trailing edge

³⁾ Leading edge

Certificates & standards

Product description	Approval marks – approval
OTe 10/220...240/700 PC	CE / ENEC 10 / VDE / CB
OTe 13/220...240/350 PC	CE / ENEC 10 / VDE / CB
OTe 18/220...240/500 PC	CE / ENEC 10 / VDE / CB
OTe 18/220...240/350 PC	CE / ENEC 10 / VDE / CB
OTe 25/220...240/700 PC	CE / ENEC 10 / VDE / CB
OTe 35/220...240/700 PC	CE / ENEC 10 / VDE / CB / C-Tick

Product family datasheet

Product description	Standards	Protection class	Type of protection
OTe 10/220...240/700 PC	Acc. to IEC 61347-1/Acc. to IEC 61347-2-13/Acc. to IEC 62384/Acc. to CISPR 15/Acc. to IEC 61000-3-2/Acc. to IEC 61000-3-3/Acc. to IEC 61547	II	IP20
OTe 13/220...240/350 PC	Acc. to IEC 61347-1/Acc. to IEC 61347-2-13/Acc. to IEC 62384/Acc. to CISPR 15/Acc. to IEC 61000-3-2/Acc. to IEC 61000-3-3/Acc. to IEC 61547	II	IP20
OTe 18/220...240/500 PC	Acc. to IEC 61347/Acc. to IEC 61347-2-13/Acc. to IEC 62384/Acc. to CISPR 15/Acc. to IEC 61000-3-2/Acc. to IEC 61000-3-3/Acc. to IEC 61547	II	IP20
OTe 18/220...240/350 PC	Acc. to IEC 61347-1/Acc. to IEC 61347-2-13/Acc. to IEC 62384/Acc. to CISPR 15/Acc. to IEC 61000-3-2/Acc. to IEC 61000-3-3/Acc. to IEC 61547	II	IP20
OTe 25/220...240/700 PC	Acc. to EN 61347-1/Acc. to EN 61347-2-13/Acc. to EN 62384/Acc. to CISPR 15/Acc. to IEC 61000-3-2/Acc. to IEC 61000-3-3/Acc. to IEC 61347	II	IP20
OTe 35/220...240/700 PC	Acc. to IEC 61347-1/Acc. to IEC 61347-2-13/Acc. to IEC 62384/Acc. to CISPR 15/Acc. to IEC 61000-3-2/Acc. to IEC 61000-3-3/Acc. to IEC 61547	II	IP20

Logistical data

Product description	Temperature range at storage	Commodity code
OTe 10/220...240/700 PC	-25...75 °C	850440829000
OTe 13/220...240/350 PC	-25...75 °C	850440829000
OTe 18/220...240/500 PC	-25...75 °C	850440829000
OTe 18/220...240/350 PC	-25...75 °C	850440829000
OTe 25/220...240/700 PC	-25...75 °C	850440829000
OTe 35/220...240/700 PC	-40...85 °C	850440829000

Application advice

For more detailed application information and graphics please see product datasheet.

Sales and Technical Support

Sales and Technical Support www.osram.com

Country specific information

Product description	Product code	METEL-Code	SEG-No.	STK number	UK Org
OTe 13/220...240/350 PC	4052899105324	-	-	4030292	-






Product family datasheet

OTe	4052899105348	-	-	4030293	-
18/220...240/350 PC					

Download Data

File	
	Product Datasheet 496532_OT Technical DS OTe 10 700 PC
	Certificates VDE EMC Certificate 40038482
	Certificates VDE ENEC Certificate 40038447
	Certificates 496535_CB report OTe 10 700 PC and OTe 13 350 PC
	Declarations of conformity EU Declaration of Conformity 3365230
	Installation/Operation notice 544631_OT PC dimmer list
	Installation guide 501498_OTe 10220-240700 PC
	CAD data 3-dim 377012_OTe 10-13 PC -cable clamp
	CAD data 3-dim 377013_OTe 10-13 PC -housing
	CAD data 3-dim 377014_OTe 10-13 PC -housing with cable clamp
	Product Datasheet 496533_OT Technical DS OTe 13 350 PC
	Installation guide 501497_OTe 13220-240350 PC
	Certificates 503096_CB report OTe 25 700 PC - OTe 18 350 PC - OTe 18 500
	Installation guide 501495_OTe 18220-240500 PC
	CAD data 3-dim 377015_OTe 18-25 PC -cable clamp
	CAD data 3-dim 377016_OTe 18-25 PC -housing
	CAD data 3-dim 377017_OTe 18-25 PC -housing with cable clamp
	Installation guide 501496_OTe 18220-240350 PC
	Installation guide 501494_OTe 25220-240700 PC

Product family datasheet

	Product Datasheet 342830_Datasheet OTe 35220-240700 PC
	Declarations of conformity 727840_Declaration OTe 35
	Declarations of conformity EU Declaration of Conformity 3668420
	Installation/Operation notice 343883_Dimmer Compatibility List_OTe 35220-240700 PC
	CAD data 3-dim 343465_CAD OTe 35220-240700 PC

Logistical Data

Product code	Product description	Packaging unit (Pieces/Unit)	Dimensions (length x width x height)	Volume	Gross weight
4052899105300	OTe 10/220...240/700 PC	Shipping carton box 20	284 mm x 207 mm x 90 mm	5.29 dm ³	2270.00 g
4052899105324	OTe 13/220...240/350 PC	Shipping carton box 20	284 mm x 207 mm x 90 mm	5.29 dm ³	2270.00 g
4052899105362	OTe 18/220...240/500 PC	Shipping carton box 20	284 mm x 207 mm x 100 mm	5.88 dm ³	2478.00 g
4052899105348	OTe 18/220...240/350 PC	Shipping carton box 20	284 mm x 207 mm x 100 mm	5.88 dm ³	2478.00 g
4052899105386	OTe 25/220...240/700 PC	Shipping carton box 20	284 mm x 207 mm x 100 mm	5.88 dm ³	2478.00 g
4008321825520	OTe 35/220...240/700 PC	Shipping carton box 10	276 mm x 98 mm x 166 mm	4.49 dm ³	1812.00 g

The mentioned product code describes the smallest quantity unit which can be ordered. One shipping unit can contain one or more single products. When placing an order, for the quantity please enter single or multiples of a shipping unit.

Accessories Optional

Product description	Accessory name	Accessory code
OTe 10/220...240/700 PC	OT CABLE CLAMP E-STYLE	▶ 4052899167896
OTe 13/220...240/350 PC	OT CABLE CLAMP E-STYLE	▶ 4052899167896
OTe 18/220...240/500 PC	OT CABLE CLAMP E-STYLE	▶ 4052899167896
OTe 18/220...240/350 PC	OT CABLE CLAMP E-STYLE	▶ 4052899167896
OTe 25/220...240/700 PC	OT CABLE CLAMP E-STYLE	▶ 4052899167896

Disclaimer

Subject to change without notice. Errors and omission excepted. Always make sure to use the most recent release.