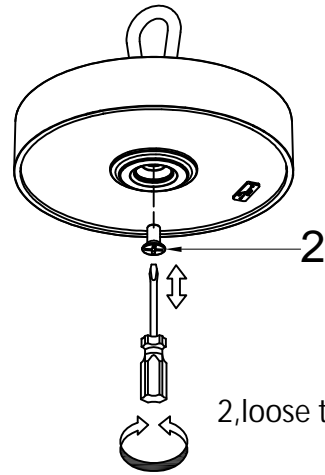


1 , move out this rubber part



2, loose the screw

